

8 7 6 5 4 3 2 1

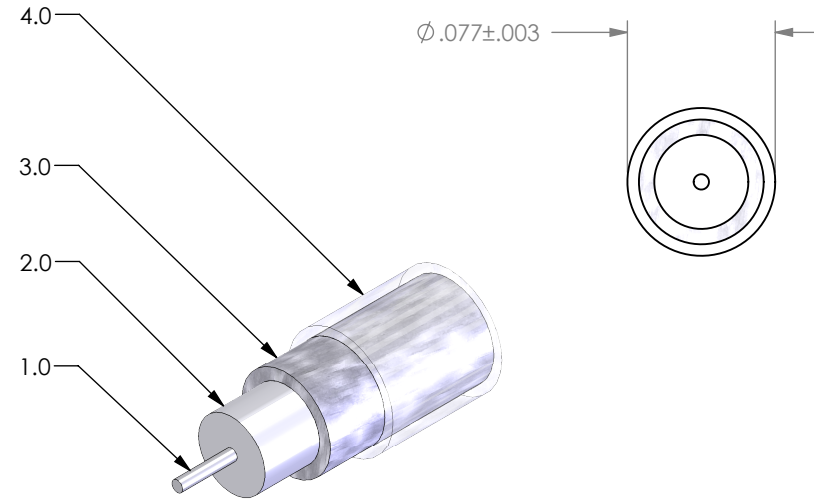
THE INFORMATION CONTAINED IN THIS DRAWING IS THE SOLE PROPERTY OF JOY SIGNAL TECHNOLOGY ANY REPRODUCTION IN PART OR WHOLE WITHOUT THE WRITTEN PERMISSION OF JOY SIGNAL TECHNOLOGY IS PROHIBITED.

REV	DESCRIPTION	DATE	INITIAL
-	ECR# 170046	5/4/17	DW


SPECIFICATIONS

- 1.0 SIGNAL CONDUCTOR:
 SIZE: 32 AWG
 MATERIAL: SOLID SILVER PLATED COPPER
 OD (NOM.): .008"
- 2.0 INSULATION:
 MATERIAL: CELLULAR FEP OR EQUIVALENT
 WALL THICKNESS(NOM): .0205
 O.D.(NOM): .049"
- 3.0 SHIELD:
 SIZE: 38 AWG
 MATERIAL: TINNED COPPER BRAID
 COVERAGE (MIN.): 90%
 O.D.(NOM) : .065"
- 4.0 JACKET:
 MATERIAL: FEP
 WALL THICKNESS (NOM.) .006
 OD: .077" ± .003
 COLOR: CLEAR
- 5.0 ELECTRICAL CHARACTERISTICS:
 IMPEDANCE: 93 ohms ±9 ohms
 CAPACITANCE(NOM): 13 pF/ft
 PROPAGATION DELAY: 1.19 ns/ft ± .03 ns/ft
- 6.0 TEMPERATURE RATING: -40° TO +200 °C
- 7.0 RoHS COMPLIANT

SPECIAL NOTES: SPOOL OD: 12" MAX
 SPOOL WIDTH: 9" MAX
 SPINDLE DIA: 1-1/2" ± .25"



JOY SIGNAL CATALOG CODE: 33

ITEM NO.	PART OR IDENTIFYING NO.	NOMENCLATURE OR DESCRIPTION	MATERIAL SPECIFICATION	QTY REQD
PARTS LIST				
UNLESS OTHERWISE SPECIFIED DIMENSIONS ARE IN INCHES TOLERANCES ARE:		CAD GENERATED DRAWING, DO NOT MANUALLY UPDATE		 COAX, 93 OHM, 32 AWG, FEP JACKET, CELLTEC INSULATION
FRACTIONS	DECIMALS ANGLES	APPROVALS	DATE	
.XX : ±.01	.XXX : ±.005	DRAWN VW	01/03/6	
MATERIAL SEE NOTES		CHECKED LM	01/03/6	
FINISH --		RESP ENG		
NEXT ASSY	USED ON	MFG ENG		
APPLICATION		QUAL ENG LM	01/03/6	
DO NOT SCALE DRAWING		SCALE	DWG. NO. 790100	REV. -
		SCALE	CAD FILE: 790100	SHEET 1 OF 1