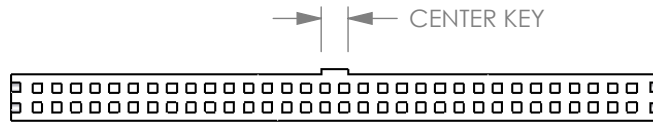
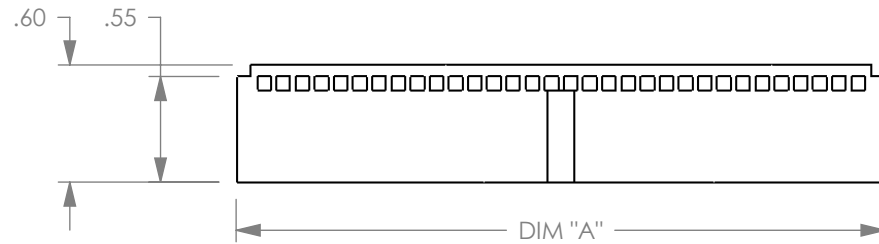
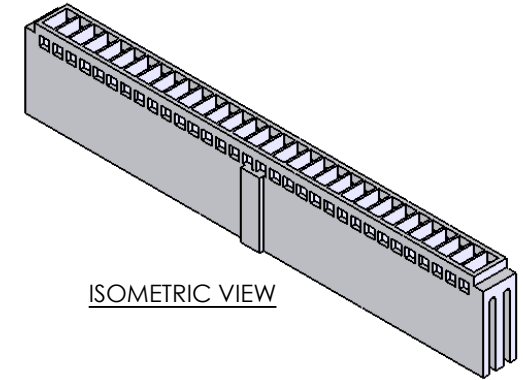
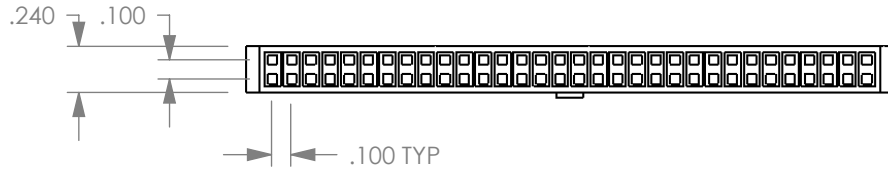


8 7 6 5 4 3 2 1


THE INFORMATION CONTAINED IN THIS DRAWING IS THE SOLE PROPERTY OF JOY SIGNAL TECHNOLOGY ANY REPRODUCTION IN PART OR WHOLE WITHOUT THE WRITTEN PERMISSION OF JOY SIGNAL TECHNOLOGY IS PROHIBITED.

REV	DESCRIPTION	DATE	INITIAL



CONFIGURATION	NO. POSITIONS	DIMENSION "A"	SSC NUMBER	JOY PART NUMBER
2 X 5	10	.68	S7C-3-10	9-490199
2 X 7	14	.88	S7C-3-14	9-490403
2 X 8	16	.98	S7C-3-16	9-490245
2 X 10	20	1.18	S7C-3-20	9-490198
2 X 13	26	1.48	S7C-3-26	9-490418
2 X 17	34	1.88	S7C-3-34	9-490080
2 X 20	40	2.18	S7C-3-40	9-490244
2 X 25	50	2.68	S7C-3-50	9-490153
2 X 30	60	3.18	S7C-3-60	9-490319
2 X 32	64	3.38	S7C-3-64	9-490056

OTHER SIZES AVAILABLE. CONTACT FACTORY FOR DETAILS.

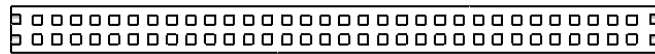
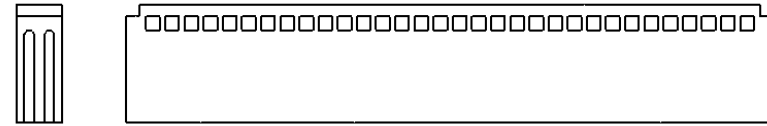
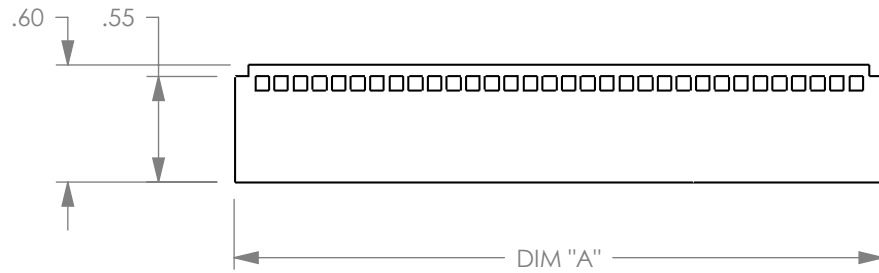
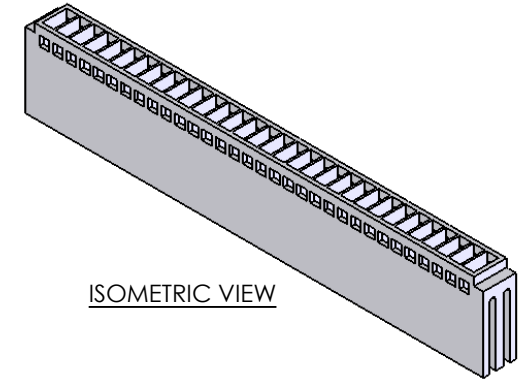
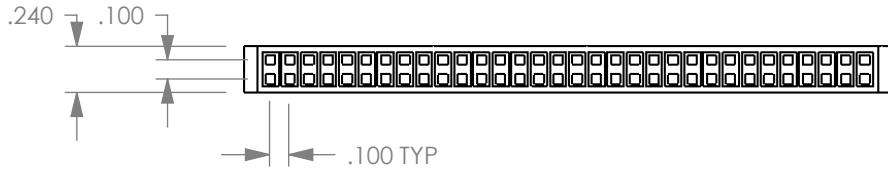
ITEM NO.	PART OR IDENTIFYING NO.	NOMENCLATURE OR DESCRIPTION	MATERIAL SPECIFICATION	QTY REQD
PARTS LIST				
UNLESS OTHERWISE SPECIFIED DIMENSIONS ARE IN INCHES TOLERANCES ARE: FRACTIONS DECIMALS ANGLES .XX: ±0.01 Angles ±.5° .XXX: ±0.005 Fin: 125		CAD GENERATED DRAWING, DO NOT MANUALLY UPDATE		 DUAL ROW LATCH AND EJECT WITH CENTER KEY Z-TRACE HOUSING -3
MATERIAL SEE NOTE 1		APPROVALS	DATE	
FINISH --		DRAWN VW	2/6/07	
NEXT ASSY USED ON		CHECKED MS	7/2/07	
APPLICATION		RESP ENG JJ	2/6/07	
DO NOT SCALE DRAWING		MFG ENG	QUAL ENG	SIZE A DWG. NO. S7C-3 REV. A SCALE CAD FILE: S7C-3 SHEET 1 OF 1

NOTES:
1. MATERIAL: BLACK THERMOPLASTIC, RATED UL94 V-O
2. TEMPERATURE RANGE USAGE: -40 °C TO +105 °C

8 7 6 5 4 3 2 1


THE INFORMATION CONTAINED IN THIS DRAWING IS THE SOLE PROPERTY OF JOY SIGNAL TECHNOLOGY ANY REPRODUCTION IN PART OR WHOLE WITHOUT THE WRITTEN PERMISSION OF JOY SIGNAL TECHNOLOGY IS PROHIBITED.

REV	DESCRIPTION	DATE	INITIAL



CONFIGURATION	NO. POSITIONS	DIMENSION "A"	SSC NUMBER	JOY PART NUMBER
2 X 5	10	.68	S7C-9-10	9-490374
2 X 8	16	.98	S7C-9-16	9-490514
2 X 10	20	1.18	S7C-9-20	9-490341
2 X 13	26	1.48	S7C-9-26	9-490515
2 X 17	34	1.88	S7C-9-34	9-490259
2 X 20	40	2.18	S7C-9-40	9-490260
2 X 25	50	2.68	S7C-9-50	9-490261
2 X 30	60	3.18	S7C-9-60	9-490262
2 X 32	64	3.38	S7C-9-64	9-490263

OTHER SIZES AVAILABLE. CONTACT FACTORY FOR DETAILS.

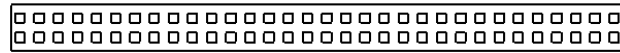
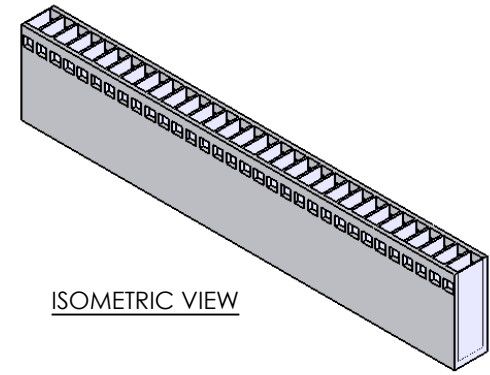
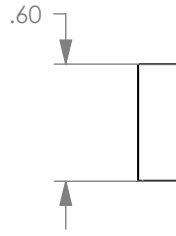
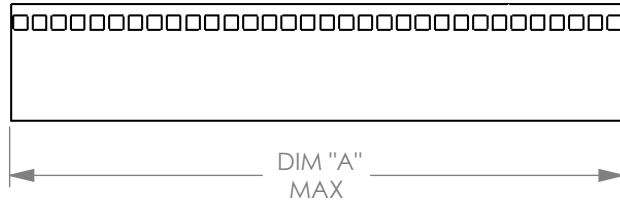
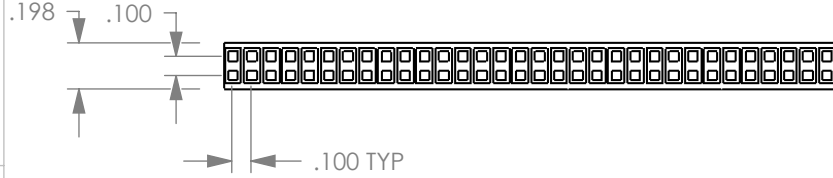
ITEM NO.	PART OR IDENTIFYING NO.	NOMENCLATURE OR DESCRIPTION	MATERIAL SPECIFICATION	QTY REQD
PARTS LIST				
UNLESS OTHERWISE SPECIFIED DIMENSIONS ARE IN INCHES TOLERANCES ARE: FRACTIONS DECIMALS ANGLES .XX: ±0.01 Angles ±.5° .XXX: ±0.005 Fin: 125		CAD GENERATED DRAWING, DO NOT MANUALLY UPDATE		 DUAL ROW LATCH AND EJECT NO KEY Z-TRACE HOUSING -9
MATERIAL SEE NOTE 1		APPROVALS	DATE	
FINISH --		DRAWN VW	2/6/07	
NEXT ASSY USED ON		CHECKED MS	7/6/7	
APPLICATION		RESP ENG JJ	2/6/07	
DO NOT SCALE DRAWING		MFG ENG		SCALE
		QUAL ENG		CAD FILE: S7C-9
				SHEET 1 OF 1

NOTES:
 1. MATERIAL: BLACK THERMOPLASTIC, RATED UL94 V-O
 2. TEMPERATURE RANGE USAGE: -40°C TO +105°C

8 7 6 5 4 3 2 1


THE INFORMATION CONTAINED IN THIS DRAWING IS THE SOLE PROPERTY OF JOY SIGNAL TECHNOLOGY ANY REPRODUCTION IN PART OR WHOLE WITHOUT THE WRITTEN PERMISSION OF JOY SIGNAL TECHNOLOGY IS PROHIBITED.

REV	DESCRIPTION	DATE	INITIAL



CONFIGURATION	NO. POSITIONS	DIMENSION "A"	SSC NUMBER	JOY PART NUMBER
2 X 2	4	.200	S7C-21-4	9-490450
2 X 3	6	.300	S7C-21-6	9-490449
2 X 4	8	.400	S7C-21-8	9-490118
2 X 5	10	.500	S7C-21-10	9-490236
2 X 6	12	.600	S7C-21-12	9-490448
2 X 8	16	.800	S7C-21-16	9-490451
2 X 10	20	1.000	S7C-21-20	9-490234
2 X 12	24	1.200	S7C-21-24	9-490462
2 X 13	26	1.300	S7C-21-26	9-490504
2 X 16	32	1.600	S7C-21-32	9-490123
2 X 17	34	1.700	S7C-21-34	9-490472
2 X 22	44	2.200	S7C-21-44	9-490505
2 X 23	46	2.300	S7C-21-46	9-490506
2 X 32	64	3.200	S7C-21-64	9-490062

OTHER SIZES AVAILABLE. CONTACT FACTORY FOR DETAILS.

ITEM NO.	PART OR IDENTIFYING NO.	NOMENCLATURE OR DESCRIPTION	MATERIAL SPECIFICATION	QTY REQD
PARTS LIST				
UNLESS OTHERWISE SPECIFIED DIMENSIONS ARE IN INCHES TOLERANCES ARE: FRACTIONS DECIMALS ANGLES .XX: ±0.01 Angles ±.5° .XXX: ±0.005 Fin: 125		CAD GENERATED DRAWING, DO NOT MANUALLY UPDATE		 DUAL ROW TRUE END AND SIDE STACKABLE Z-TRACE HOUSING -21
MATERIAL SEE NOTE 1		APPROVALS	DATE	
FINISH --		DRAWN VW	11/15/07	
NEXT ASSY USED ON		CHECKED MS	11/15/07	
APPLICATION DO NOT SCALE DRAWING		RESP ENG JJ	11/15/07	
		MFG ENG		SIZE A DWG. NO. S7C-21 REV. A
		QUAL ENG		SCALE CAD FILE: S7C-21 SHEET 1 OF 1

NOTES:
1. MATERIAL: BLACK THERMOPLASTIC, RATED UL94 V-O
2. TEMPERATURE RANGE USAGE: -40°C TO +105°C