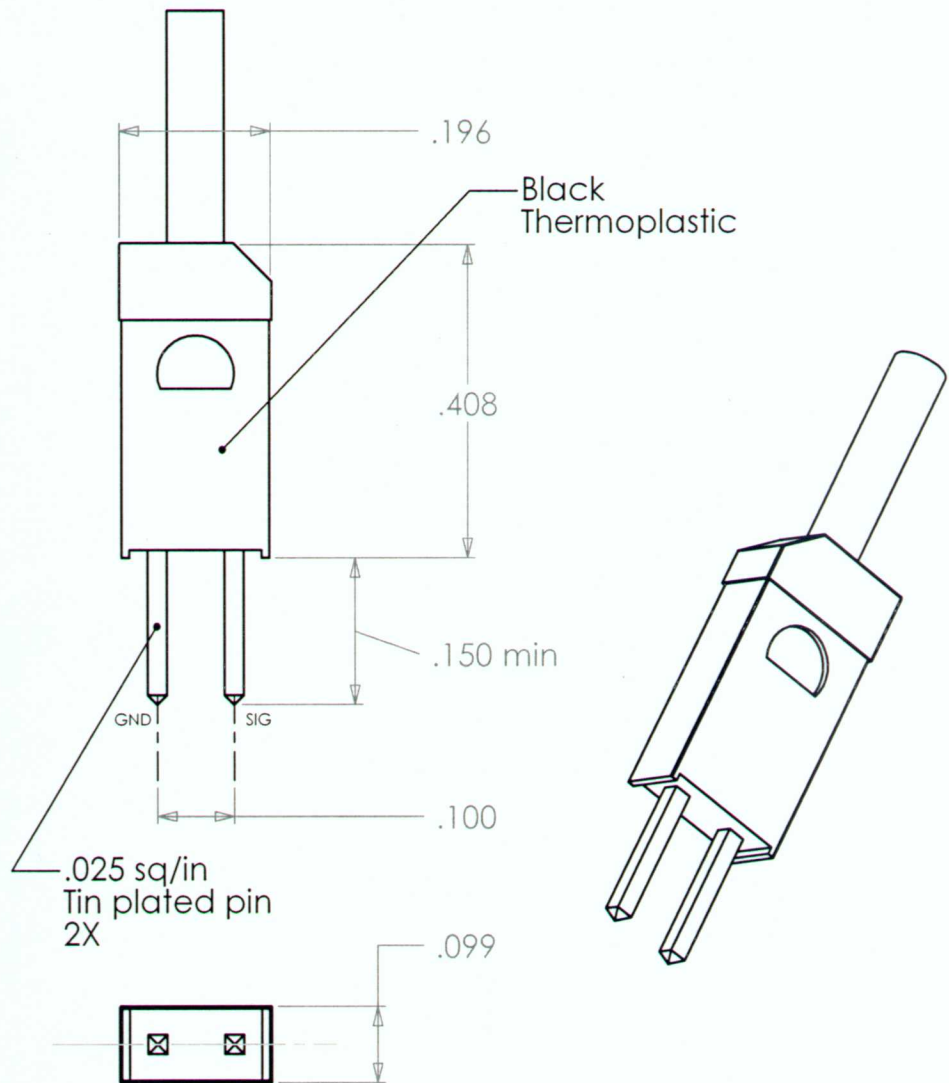


Coax PCB Termination

Product Bulletin No. JS-09-00-2

Solderable termination for miniature coax.
Consult factory for additional pin lengths.



Catalog Type: ST1