

Joy Signal Technology has developed a 180-pin ZIF Connector/Cable Assembly for Automatic Test Equipment (ATE) applications.

Features & Benefits

- 90 coax signals or up to 180 utility pins
- 3 GHz bandwidth
- Board-mount connector uses compression tails, with no soldering required
- 10,000 insertion cycles
- ZIF assures no net nominal force on the mating board

Specifications

Electrical

- Contact resistance: 25 milliohm (maximum)
- Current rating: 1.0 amp per contact (continuous)
- Insulation resistance: $>1 \times 10^9$ ohms at 500 VDC

Mechanical

- Contact material: Copper Alloy
- Contact finish: 30 μ -inch gold (minimum) over 50 μ -inch nickel (minimum)
- Number of contacts: 180 with .025" centers
- Normal force: 100 grams (nominal)
- Dielectric material: liquid-crystal polymer
- Insertion/withdrawal cycles: 10,000 minimum

Environmental

- Material: UL 94V-0 Recognized
- Temperature rating: -20 °C to $+100$ °C

For the name and location of your nearest Joy Signal Sales Representative call 888-891-3551 or visit us at www.joysignal.com

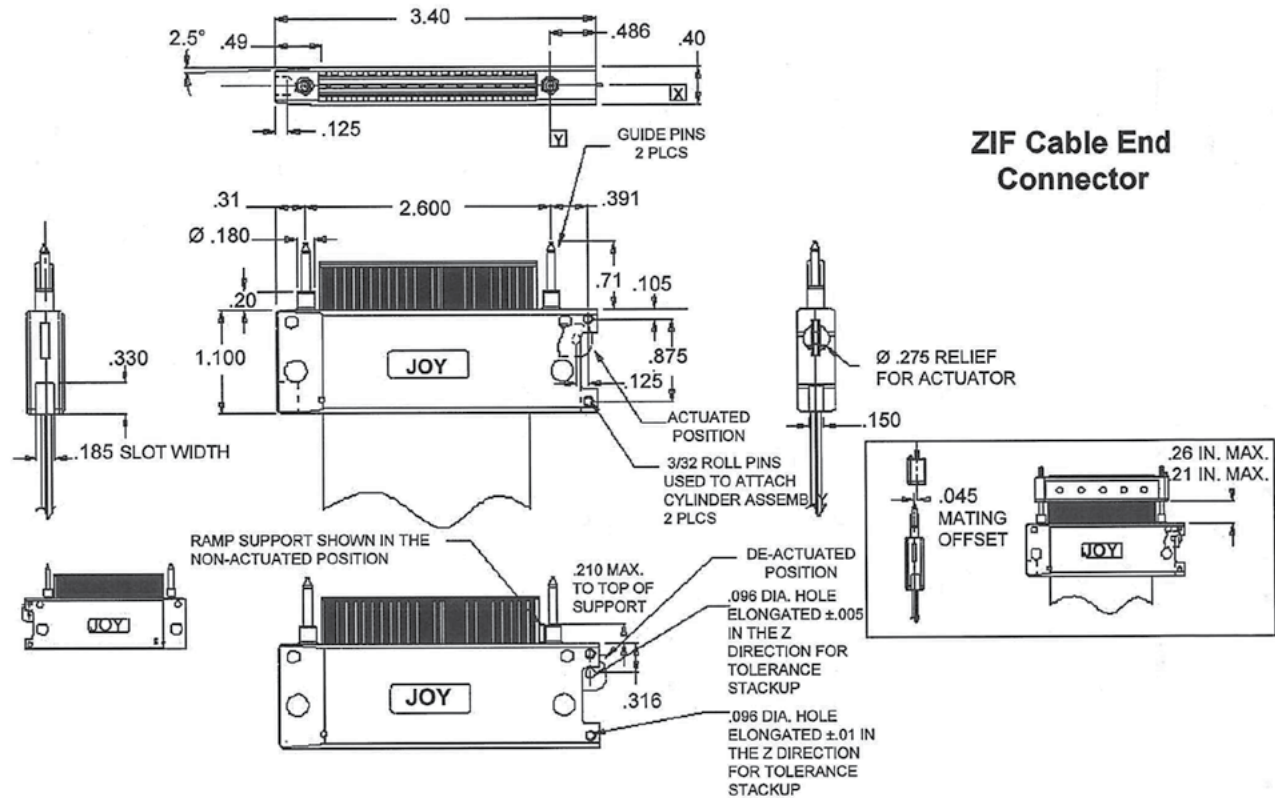
All statements, specifications, and technical information on this data sheet are subject to change at any time without notice.

[Document PDF Link](#)

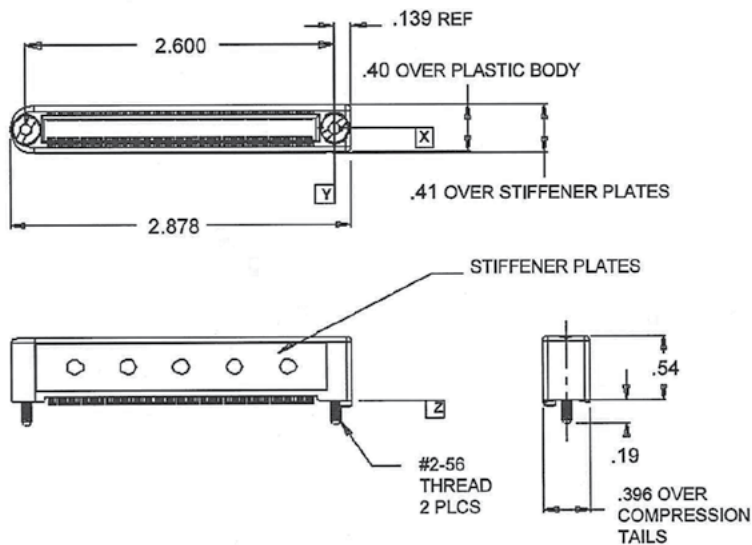


Joy Signal Technology - 1020 Marauder Street - Chico, California 95973 USA
Toll-Free Customer Service: 888-891-3551 - Office: 530-891-3551 - Fax: 530-891-3599
www.meritec.com - www.joysignal.com - customerservice@joysignal.com





Compression Mount Female Receptacle



All statements, specifications, and technical information on this data sheet are subject to change at any time without notice.

CONFIDENTIAL AND PROPRIETARY NOTICE

Visit us at joysignal.com

This document and the information contained in it are confidential property of Meritec. The document and information are provided to you for your review and evaluation and must not be furnished or disclosed to others without prior written consent by an authorized representative of Meritec.

