



Developed for use as a rugged-test floor interconnect, the Compact Brute series connector allows for design flexibility with up to 140 pins on a 4x35 matrix.

The pins can be configured as signals, grounds or power up to 1.7A/pin. For lower performance applications a typical configuration could be 32 signals and 3 grounds on three rows for a total of 96 signals and 9 grounds. The remaining 35 pins could be power supply.

For a higher performance application each row can be configured in a sig/gnd/sig/gnd repeating pattern with 17 signals and 18 grounds per row or a connector total of 68 single-ended signals. Differential signals running on shielded-twisted pair or shielded-parallel pair are also possible with this connector.

All cable end connectors are female. There are board-mounted headers available in vertical male, right-angle male, vertical female and right-angle female configurations. The female board connectors are for board-to-board connection in conjunction with the male-board connectors.



Vertical Male  
PCB Mounted



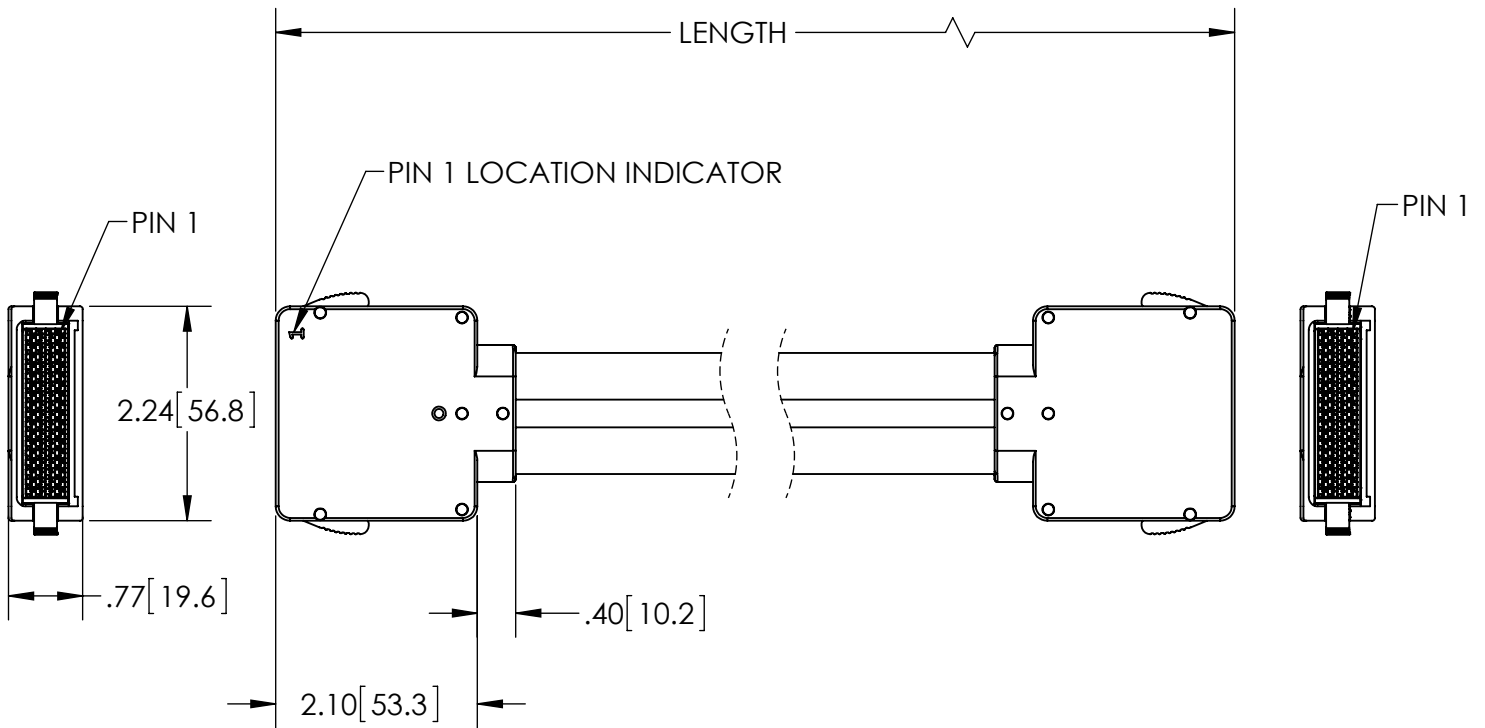
Right-Angle Male  
PCB Mounted

## Features & Benefits

- Rugged, hard anodized aluminum shell with PTFE Mil-Spec coating
- Contacts are protected by an LCP grid
- Patented hermaphroditic contact for low insertion force and long life
- Contacts are dual wipe for redundancy and high reliability
- 140 positions available for signal, ground or power
- Up to 1.7A/pin per contact
- Resilient LCP Quick Latch system for quick attach and removal
- Two stainless steel alignment pins on board-mounted connections
- Secured to PCB with two 4-40 screws
- Available PCB-mounted connectors:
  - Vertical Male
  - Vertical Female
  - Right-Angle Male
  - Right-Angle Female
- Female board-mount connectors for board-to-board applications
- Cable-end connector always female
- Vertical Male Board footprint: 2.23" [56.6] x 0.66" [16.8]



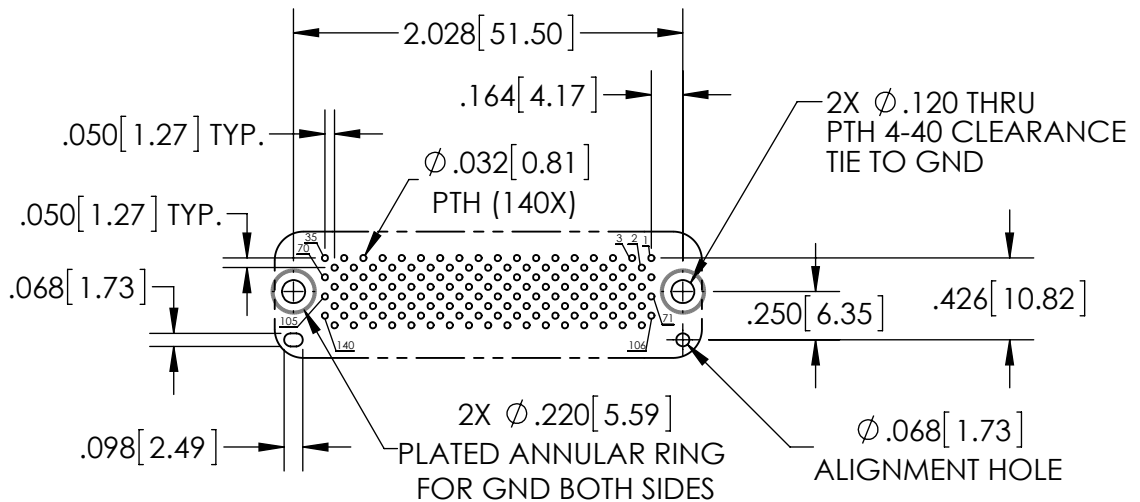
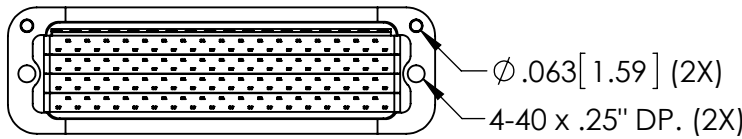
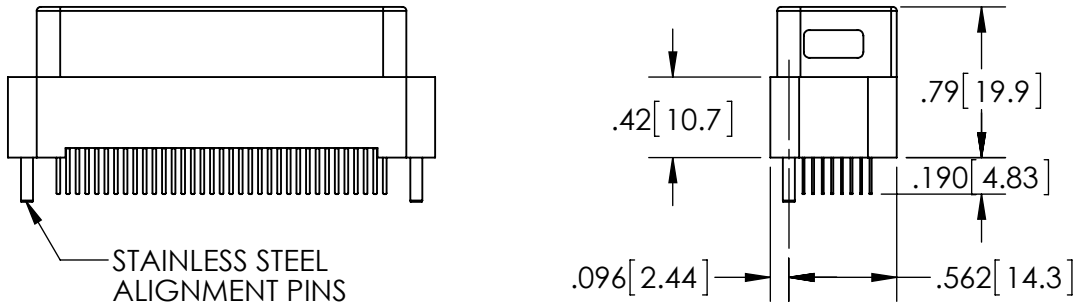
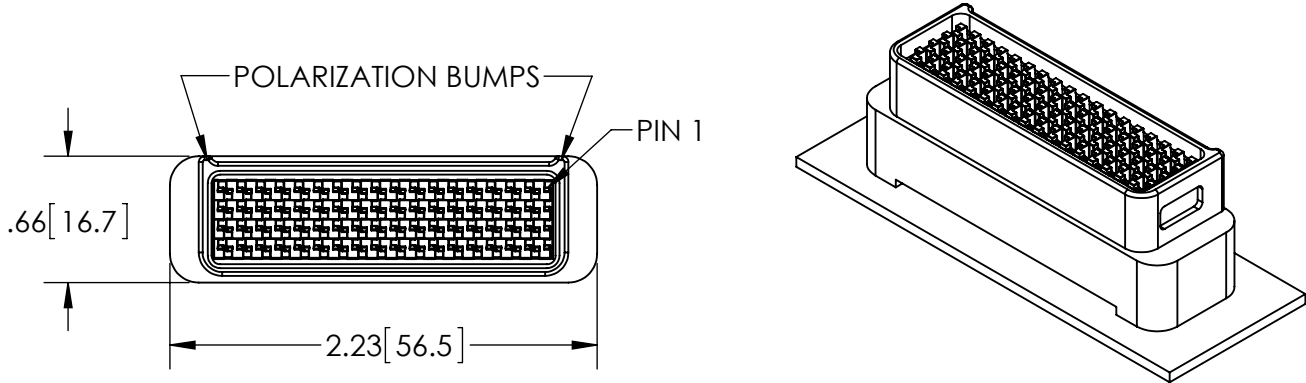
**FEMALE CABLE END CONNECTOR**



*For reference only, contact factory for current details.*



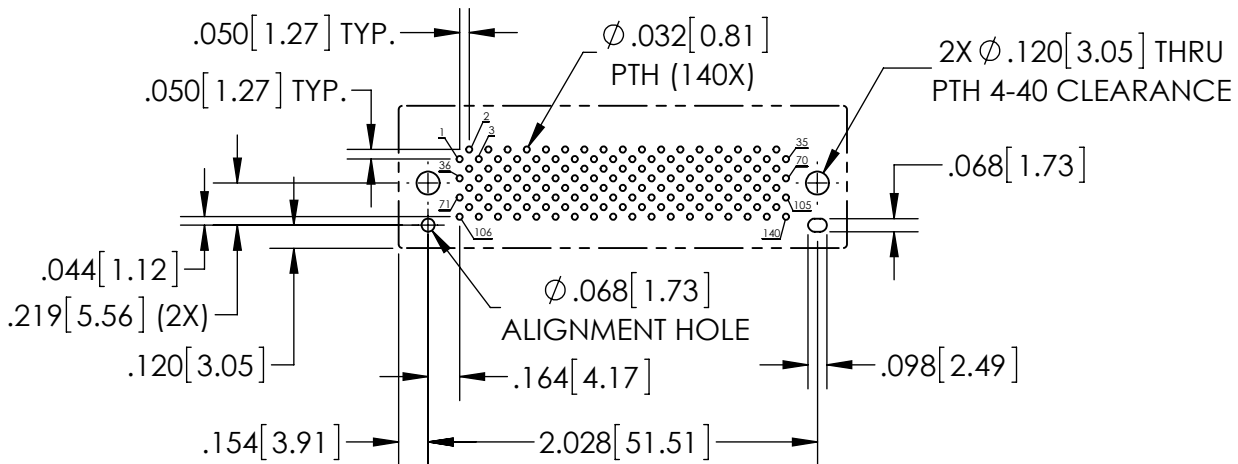
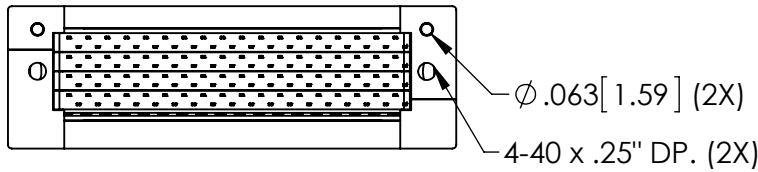
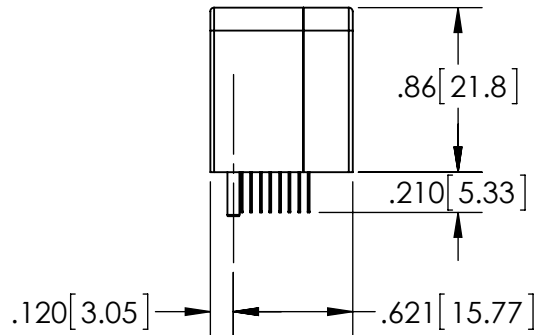
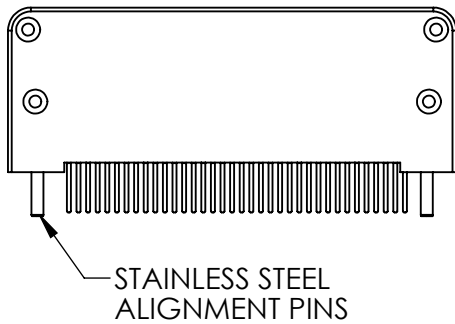
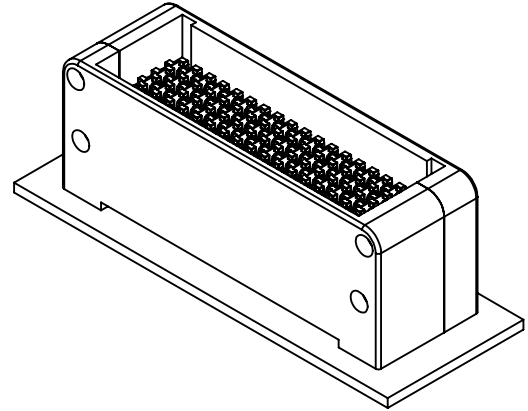
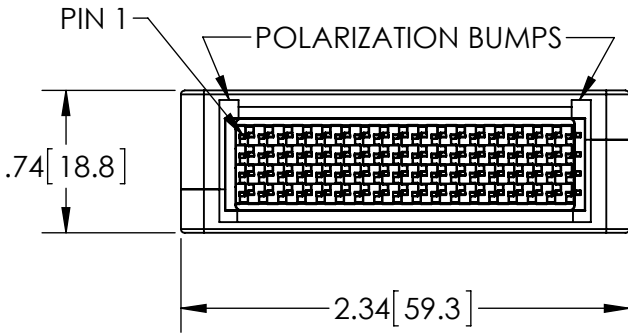
**VERTICAL MALE PCB MOUNTED**



**PCB FOOTPRINT**



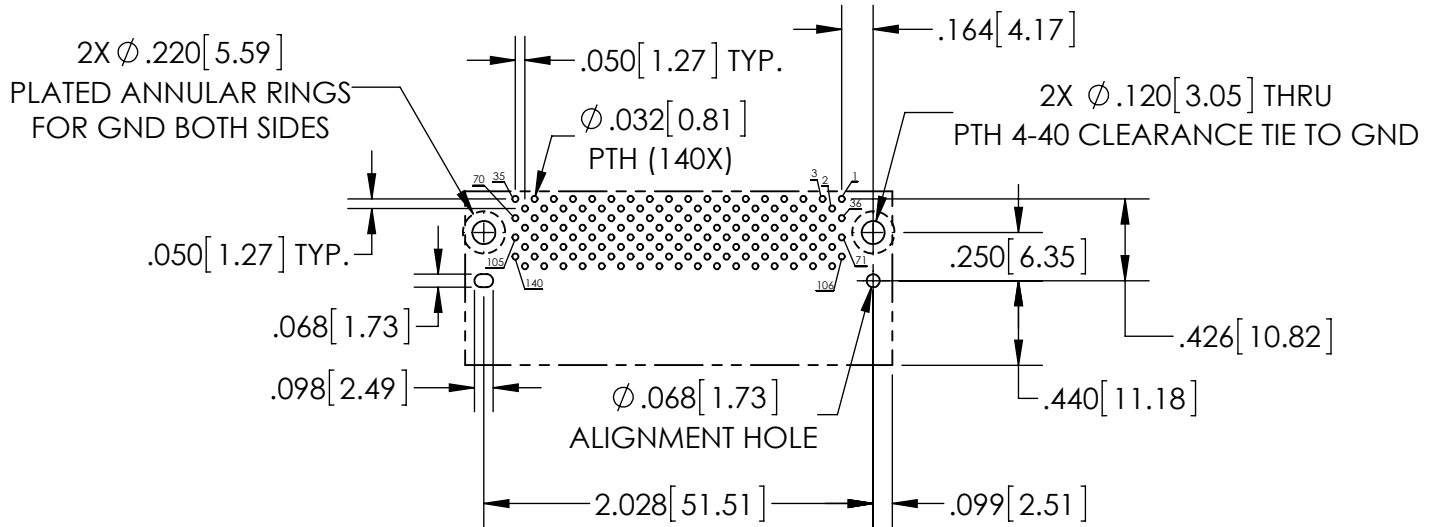
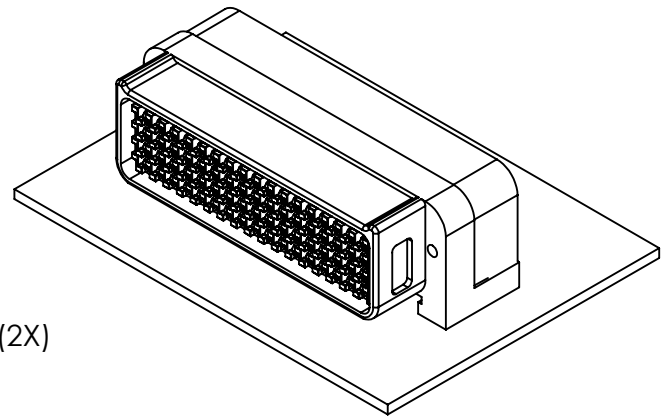
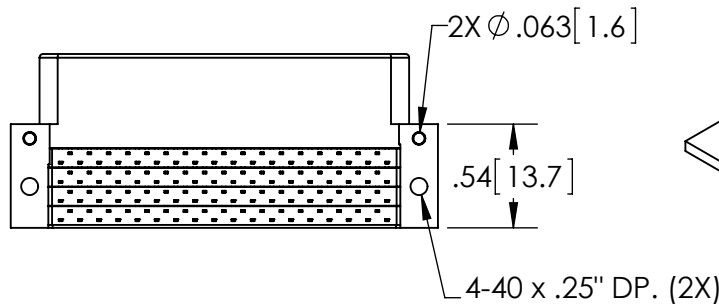
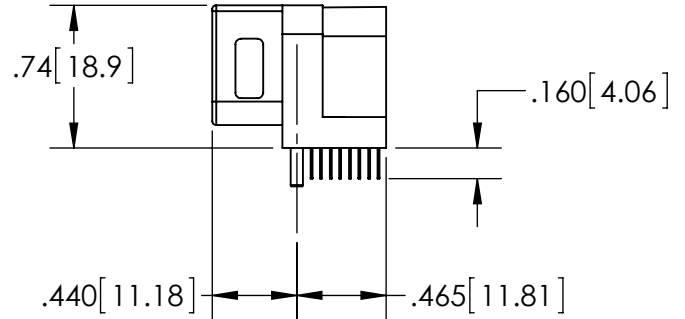
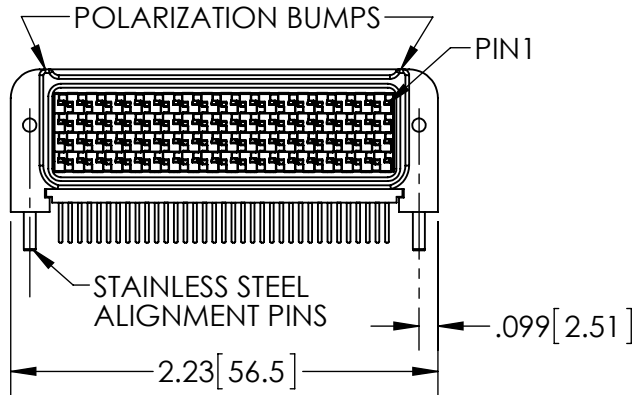
**VERTICAL FEMALE PCB MOUNTED**



**PCB FOOTPRINT**



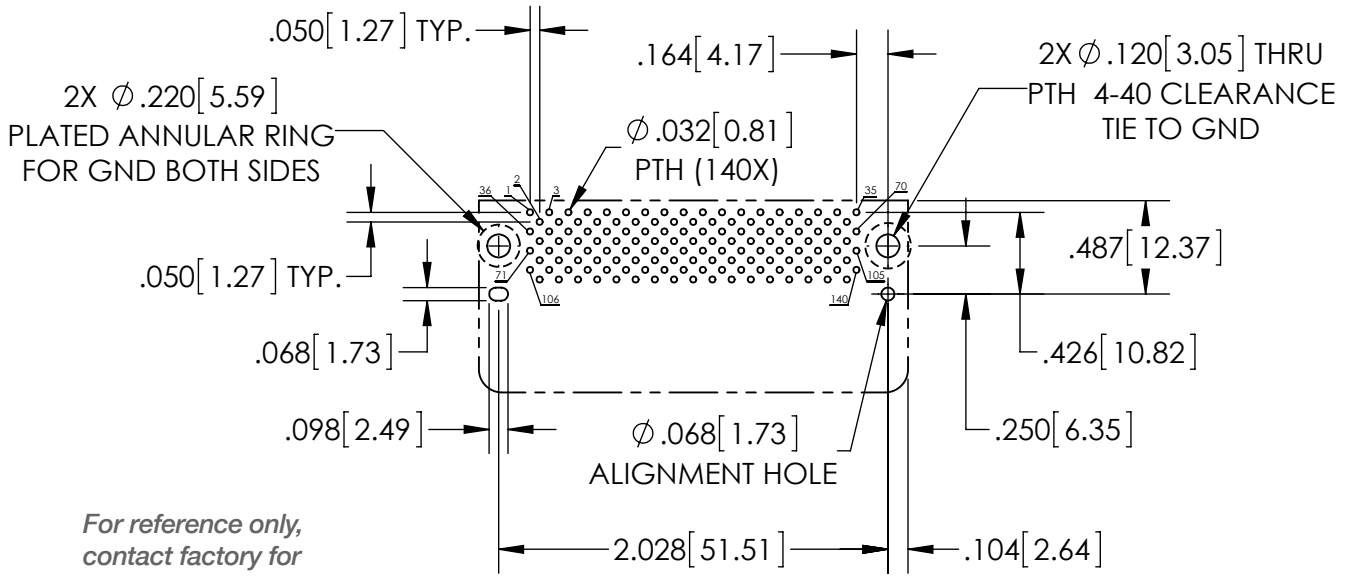
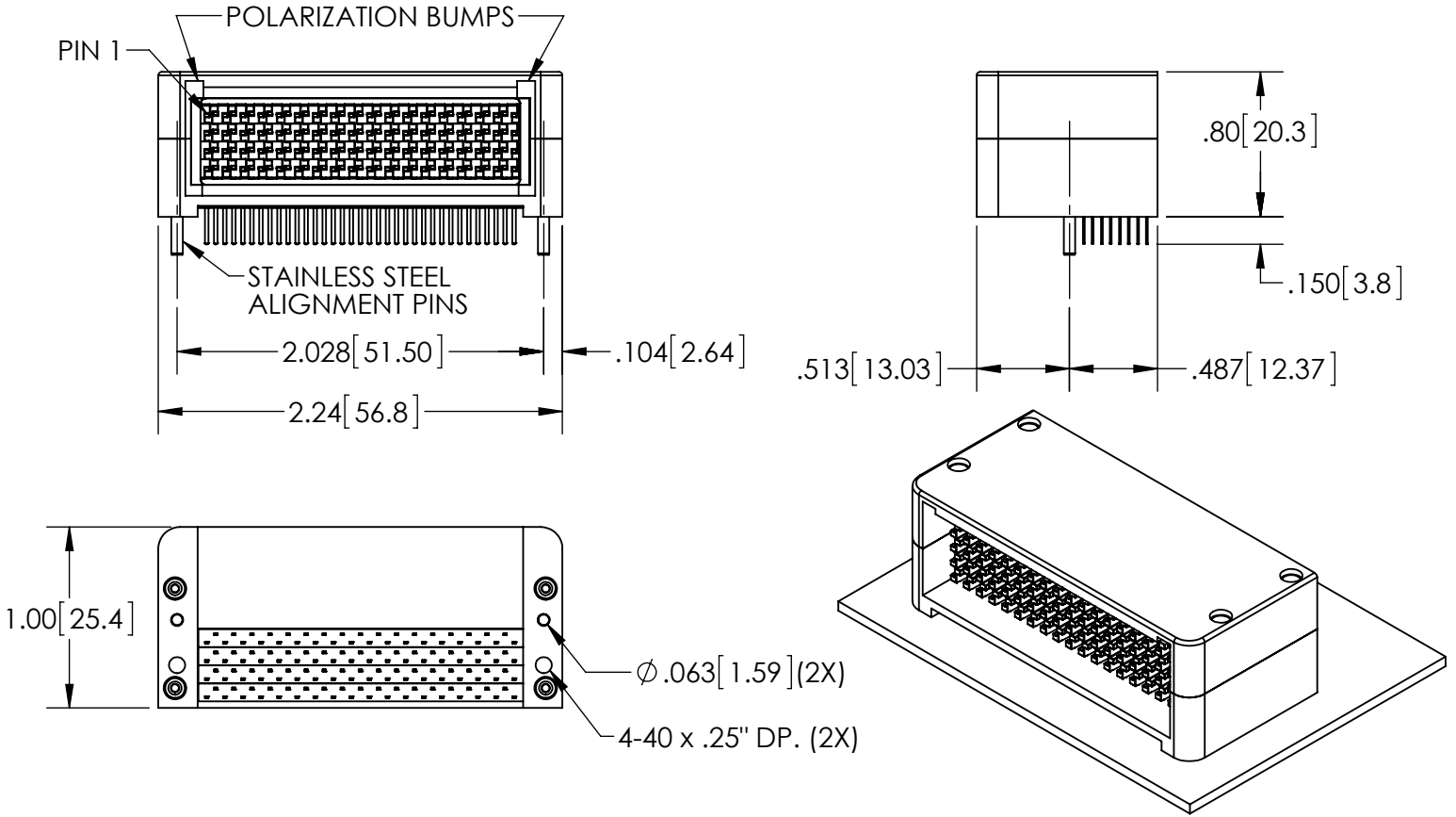
**RIGHT ANGLE MALE PCB MOUNTED**



**PCB FOOTPRINT**



**RIGHT ANGLE FEMALE PCB MOUNTED**



**PCB FOOTPRINT**

**CONFIDENTIAL AND PROPRIETARY NOTICE**

Visit us at [joysignal.com](http://joysignal.com)

This document and the information contained in it are confidential property of Meritec. The document and information are provided to you for your review and evaluation and must not be furnished or disclosed to others without prior written consent by an authorized representative of Meritec.

