

THE INFORMATION CONTAINED IN THIS DRAWING IS THE SOLE PROPERTY OF JOY SIGNAL TECHNOLOGY ANY REPRODUCTION IN PART OR WHOLE WITHOUT THE WRITTEN PERMISSION OF JOY SIGNAL TECHNOLOGY IS PROHIBITED.

REVISIONS				
ZONE	REV.	DESCRIPTION	ECO	DATE
	F	CREATED JOY SALES DRAWING	140067	8/20/2014

SPECIFICATION:

CONTACTS: HIGH PERFORMANCE COPPER ALLOY

FINISH: 30 MICRO-INCHES MINIMUM GOLD OVER 50 MICRO-INCHES NICKEL, BOTH ON BOTH ON COMPRESSION TAIL AND INTERFACE TO MALE ZIF.

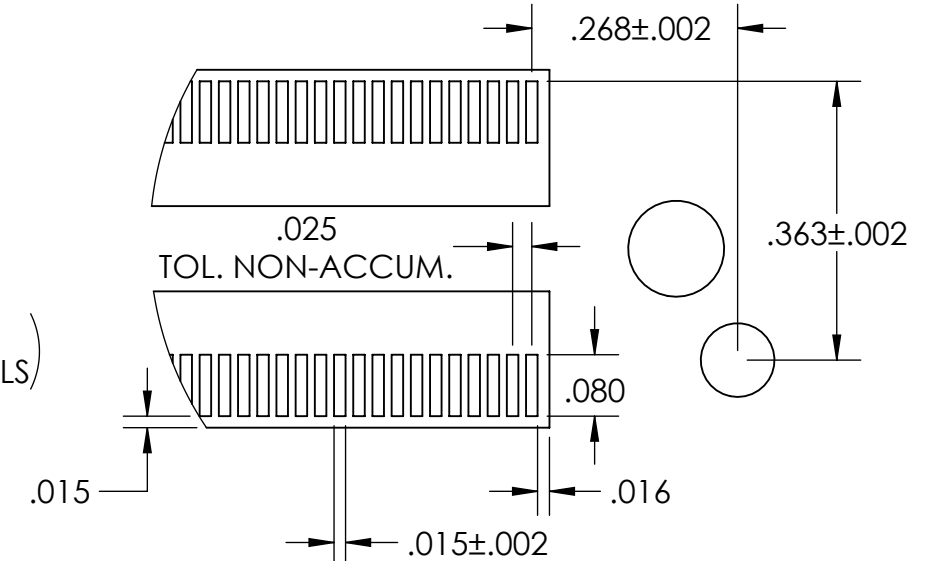
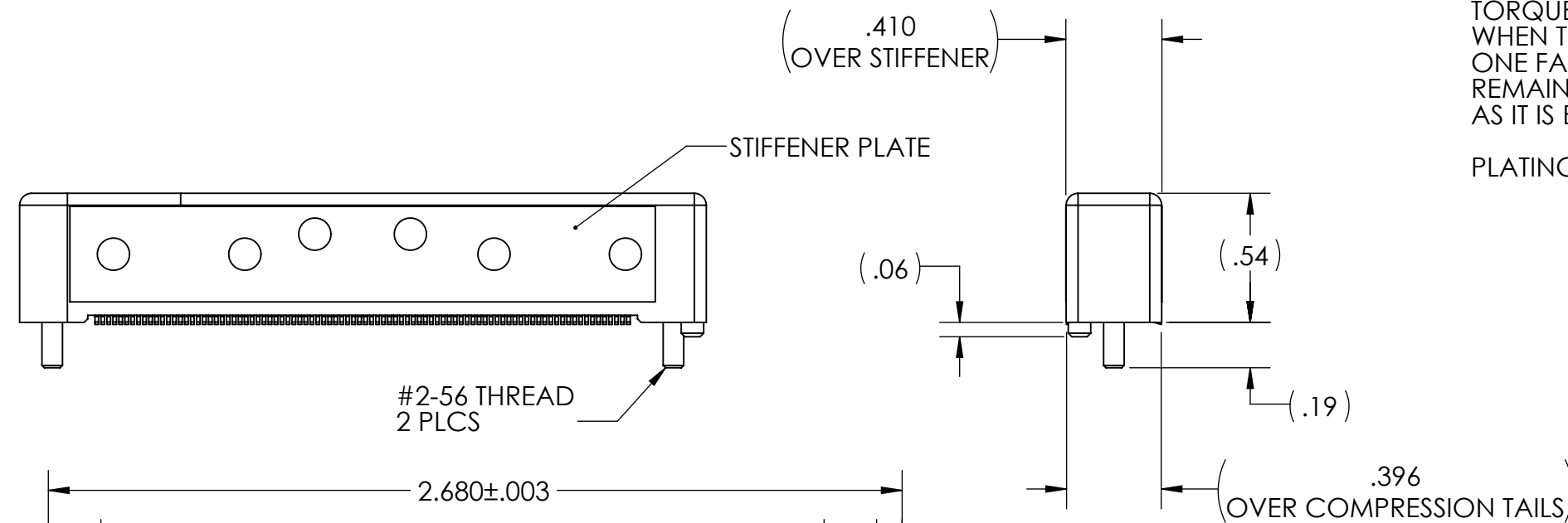
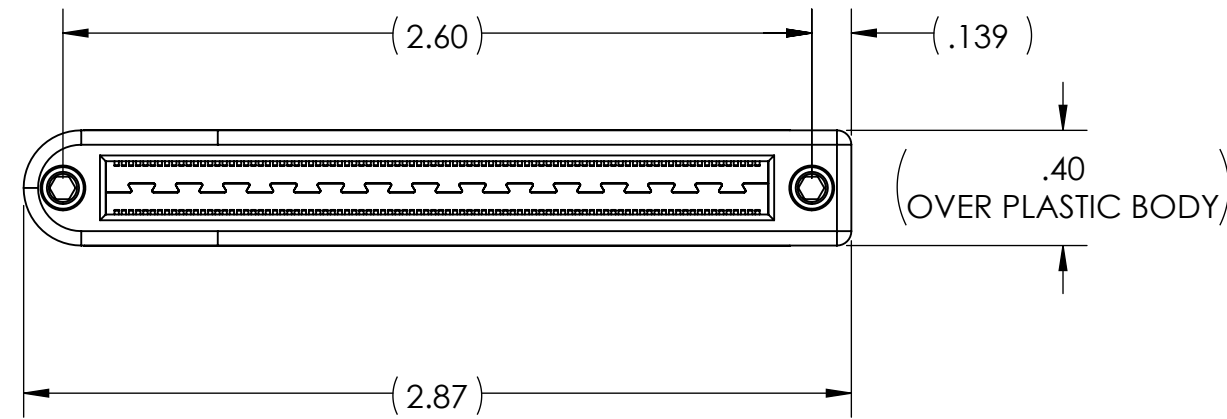
BUSHING/RETENTION STUD: HARDENED STEEL

STIFFENER PLATES: STAINLESS STEEL

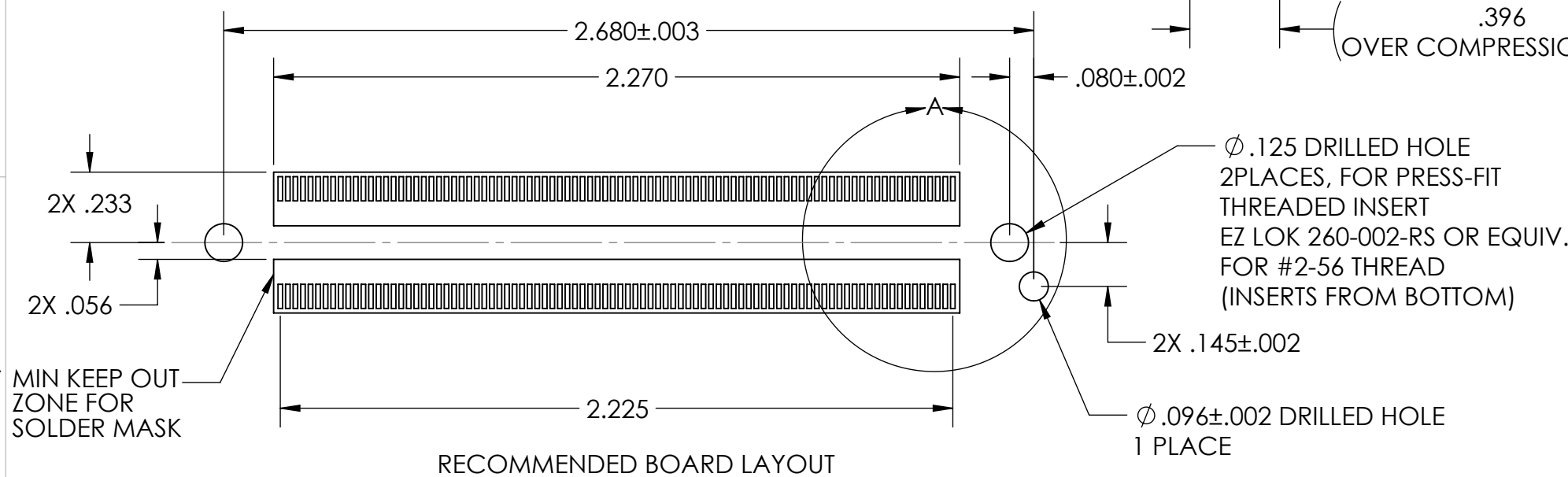
HOUSING AND INSULATOR: LIQUID CRYSTAL POLYMER
COLOR: BLACK. MATERIAL RATED UL94V-0.

TORQUE FASTENERS TO 2-3 INCH-POUNDS.
WHEN TIGHTENING FASTENERS, ALTERNATE FROM ONE FASTENER TO THE OTHER SO THAT THE CONNECTOR REMAINS APPROXIMATELY PARALLEL WITH THE BOARD AS IT IS BEING TIGHTENED.

PLATING SPEC FOR BOARD: ENIG PER IPC-4552 MINIMUM



DETAIL A
SCALE 4 : 1



RECOMMENDED BOARD LAYOUT

MIN KEEP OUT ZONE FOR SOLDER MASK

Ø .125 DRILLED HOLE 2 PLACES, FOR PRESS-FIT THREADED INSERT EZ LOK 260-002-RS OR EQUIV. FOR #2-56 THREAD (INSERTS FROM BOTTOM)

Ø .096±.002 DRILLED HOLE 1 PLACE

UNLESS OTHERWISE SPECIFIED DIMENSIONS ARE IN INCHES TOLERANCES ARE: .XX ± .01 ANGLES ± 5° .XXX ± .005 FIN	CAD GENERATED DRAWING, DO NOT MANUALLY UPDATE		
	APPROVALS	DATE	
MATERIAL	DRAWN JKS	8/20/14	180 POS FEMALE RECEPTACLE COMPRESSION MOUNT
FINISH	RESP ENG JKS		
DO NOT SCALE DRAWING	THIRD ANGLE PROJECTION	SCALE 1.5:1	SIZE B DWG. NO. 690975 REV. F SHEET 1 OF 1