

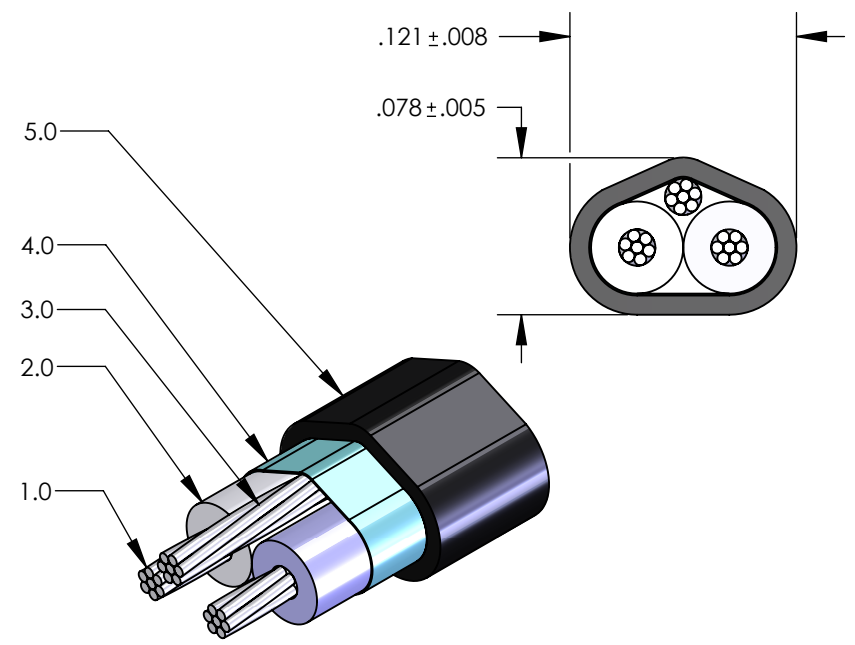
THE INFORMATION CONTAINED IN THIS DRAWING IS THE SOLE PROPERTY OF JOY SIGNAL TECHNOLOGY ANY REPRODUCTION IN PART OR WHOLE WITHOUT THE WRITTEN PERMISSION OF JOY SIGNAL TECHNOLOGY IS PROHIBITED.


REV	DESCRIPTION	DATE	INITIAL
-	ECR# 170046	5/3/17	DW

SPECIFICATIONS

- 1.0 SIGNAL CONDUCTOR:
 SIZE: 26 AWG
 MATERIAL: SILVER PLATED COPPER
 CONSTRUCTION: 7 X 34
 OD (NOM.): .019"
 - 2.0 INSULATION:
 MATERIAL: FOAMED POLYPROPYLENE
 OD: .048" ±.002
 COLOR : 1. NATURAL 2. LIGHT BLUE
 - 3.0 DRAIN WIRE:
 SIZE: 26 AWG
 MATERIAL: SILVER PLATED COPPER
 CONSTRUCTION: 7 X 34
 OD(NOM): .019"
 - 4.0 SHIELD:
 MATERIAL: ALUMINUM/POLYESTER, ALUMINUM SIDE IN
 COVERAGE (MIN.): 100% WITH 20% OVERLAP
 - 5.0 JACKET:
 MATERIAL: PVC
 WALL THICKNESS (NOM.) .010"
 OD: MINOR Ø.078" ±.005
 MAJOR: Ø.121" ±.008
 JACKET COLOR: BLACK
 CABLE MUST RESIST A 2lb. STRIPPING FORCE BETWEEN JACKET AND PRIMARIES.
 - 6.0 ELECTRICAL CHARACTERISTICS:
 IMPEDANCE: 100 ohms ±10 ohms
 CAPACITANCE(NOM): 13 pF/ft
 PROPAGATION DELAY: 1.30 ±.03 ns/ft
 VELOCITY OF PROROGATION: 78% NOMINAL
 SKEW: 10ps/ft (MEASURED AT 50% OF INPUT VOLTAGE)
 - 7.0 RoHS COMPLIANT
- SPECIAL NOTES: SPOOL OD: 12"MAX
 SPOOL WIDTH: 9"MAX
 SPINDLE DIA: 1-1/2" ±.25"

JOY SIGNAL CATALOG CODE: 52



ITEM NO.	PART OR IDENTIFYING NO.	NOMENCLATURE OR DESCRIPTION	MATERIAL SPECIFICATION	QTY REQD	
PARTS LIST					
UNLESS OTHERWISE SPECIFIED DIMENSIONS ARE IN INCHES TOLERANCES ARE: FRACTIONS DECIMALS ANGLES .XX : ±.01 .XXX : ±.005		CAD GENERATED DRAWING, DO NOT MANUALLY UPDATE	 TWINAX, 100 OHM, 26AWG, PVC JACKET, FOAMED POLYPROPYLENE INSULATION		
MATERIAL SEE NOTES		APPROVALS			DATE
FINISH --		DRAWN VW			01/03/6
NEXT ASSY		CHECKED LM			01/03/6
USED ON		RESP ENG			
APPLICATION		MFG ENG			
DO NOT SCALE DRAWING		QUAL ENG LM	01/03/65		
		SCALE	DWG. NO. 790055	REV. -	
		CAD FILE: 790055		SHEET 1 OF 1	