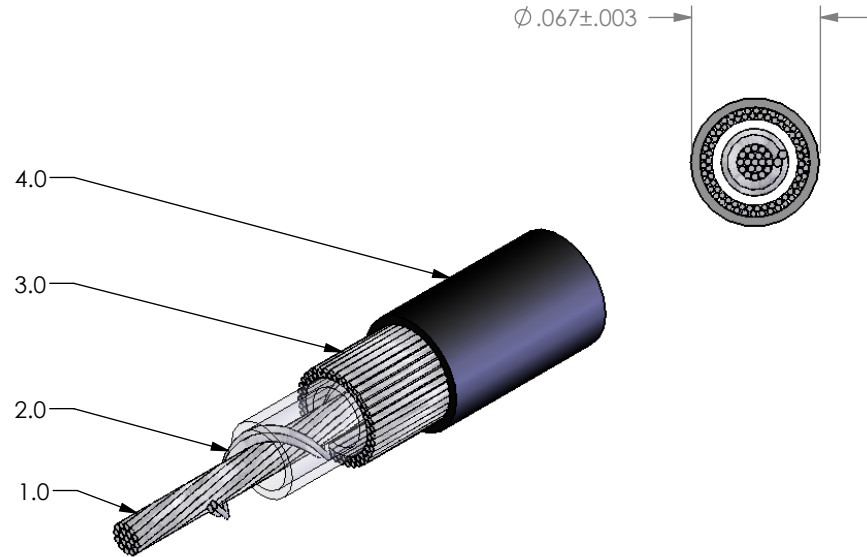


THE INFORMATION CONTAINED IN THIS DRAWING IS THE SOLE PROPERTY OF JOY SIGNAL TECHNOLOGY. ANY REPRODUCTION IN PART OR WHOLE WITHOUT THE WRITTEN PERMISSION OF JOY SIGNAL TECHNOLOGY IS PROHIBITED.


| REV | DESCRIPTION | DATE | INITIAL |
|-----|-------------|------|---------|
| | | | |
| | | | |

SPECIFICATIONS

- 1.0 SIGNAL CONDUCTOR:
 SIZE: 26 AWG
 MATERIAL: SILVER PLATED COPPER
 CONSTRUCTION: 19 X 38
 OD (NOM.): .019"
 - 2.0 INSULATION:
 FILAMENT(NOM): 2 @ PFA, ϕ .0048", BLUE
 CORE TUBE:
 MATERIAL(NOM): FEP, .005" WALL THICKNESS
 OD(NOM): ϕ .045"
 - 3.0 SHIELD:
 SIZE: 40 AWG SPC
 COVERAGE (MIN.): 90%
 CONSTRUCTION: BRAIDED
 - 4.0 JACKET:
 MATERIAL: POLYURETHANE
 WALL THICKNESS (NOM.): .005"
 OD: .067" \pm .003
 COLOR: BLACK
 - 5.0 ELECTRICAL CHARACTERISTICS:
 IMPEDANCE: 50 ohms \pm 2 ohms
 CAPACITANCE(NOM): 23.5 pF/ft
 PROPAGATION DELAY: 1.14 \pm 0.01 ns/ft
- SPECIAL NOTES: SPOOL OD: 12" MAX
 SPOOL WIDTH: 9" MAX
 SPINDLE DIA: 1-1/2" \pm .25"



JOY SIGNAL CATALOG CODE: 35

| ITEM NO. | PART OR IDENTIFYING NO. | NOMENCLATURE OR DESCRIPTION | MATERIAL SPECIFICATION | QTY REQD |
|--|-------------------------|---|------------------------|---|
| PARTS LIST | | | | |
| UNLESS OTHERWISE SPECIFIED DIMENSIONS ARE IN INCHES TOLERANCES ARE: FRACTIONS DECIMALS ANGLES .XX : \pm .01 .XXX : \pm .005 | | CAD GENERATED DRAWING, DO NOT MANUALLY UPDATE | |  COAX,50 OHM,26 AWG, POLYURETHANE JACKET, FILAMENT INSULATION |
| MATERIAL | | APPROVALS | DATE | |
| FINISH | | DRAWN | | |
| SEE NOTES | | CHECKED | | |
| -- | | RESP ENG | | |
| NEXT ASSY | USED ON | MFG ENG | | |
| APPLICATION | | QUAL ENG | | |
| DO NOT SCALE DRAWING | | LM | 10/28/5 | |
| | | SIZE A | DWG. NO. 790246 | REV. 1 |
| | | SCALE | CAD FILE: 790246 | SHEET 1 OF 1 |