

8 7 6 5 4 3 2 1

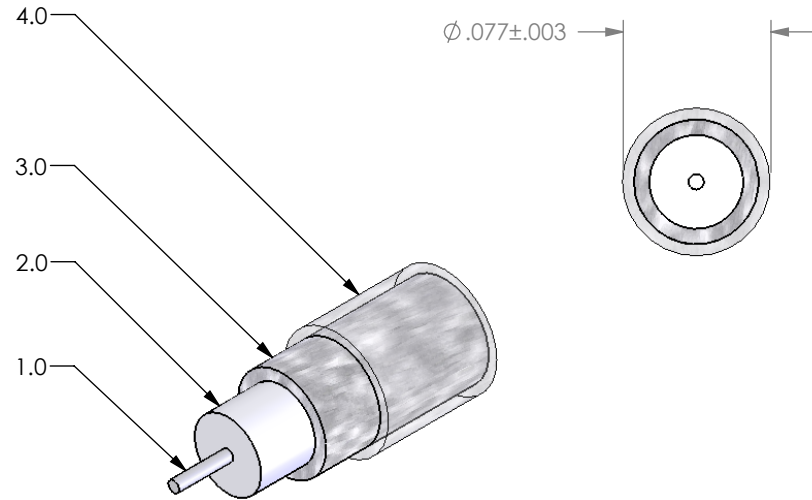
THE INFORMATION CONTAINED IN THIS DRAWING IS THE SOLE PROPERTY OF JOY SIGNAL TECHNOLOGY ANY REPRODUCTION IN PART OR WHOLE WITHOUT THE WRITTEN PERMISSION OF JOY SIGNAL TECHNOLOGY IS PROHIBITED.

REV	DESCRIPTION	DATE	INITIAL


SPECIFICATIONS

- 1.0 SIGNAL CONDUCTOR:
 SIZE: 32 AWG
 MATERIAL: SOLID SILVER PLATED COPPER
 OD (NOM.): .008"
- 2.0 INSULATION:
 MATERIAL: CELLULAR FEP OR EQUIVALENT
 WALL THICKNESS(NOM): .0205
 O.D.(NOM): .049"
- 3.0 SHIELD:
 SIZE: 38 AWG
 MATERIAL: TINNED COPPER BRAID
 COVERAGE (MIN.): 90%
 O.D.(NOM) : .065"
- 4.0 JACKET:
 MATERIAL: FEP
 WALL THICKNESS (NOM.) .006
 OD: .077" ± .003
 COLOR: CLEAR
- 5.0 ELECTRICAL CHARACTERISTICS:
 IMPEDANCE: 93 ohms ±9 ohms
 CAPACITANCE(NOM): 13 pF/ft
 PROPAGATION DELAY: 1.19 ns/ft ± .03 ns/ft
- 6.0 TEMPERATURE RATING: -40° TO +200 °C

SPECIAL NOTES: SPOOL OD: 12" MAX
 SPOOL WIDTH: 9" MAX
 SPINDLE DIA: 1-1/2" ± .25"



JOY SIGNAL CATALOG CODE: 33

ITEM NO.	PART OR IDENTIFYING NO.	NOMENCLATURE OR DESCRIPTION	MATERIAL SPECIFICATION	QTY REQD
PARTS LIST				
UNLESS OTHERWISE SPECIFIED DIMENSIONS ARE IN INCHES TOLERANCES ARE:		CAD GENERATED DRAWING, DO NOT MANUALLY UPDATE		 COAX, 93 OHM, 32 AWG, FEP JACKET, CELLTEC INSULATION
FRACTIONS DECIMALS ANGLES .XX : ±.01 .XXX : ±.005		APPROVALS DATE		
MATERIAL SEE NOTES		DRAWN VW 01/03/6		
FINISH --		CHECKED LM 01/03/6		
NEXT ASSY	USED ON	RESP ENG		MFG ENG
APPLICATION		QUAL ENG LM 01/03/6		SCALE
DO NOT SCALE DRAWING		DWG. NO. 790100		REV. 1
		CAD FILE: 790100		SHEET 1 OF 1