

THE INFORMATION CONTAINED IN THIS DRAWING IS THE SOLE PROPERTY OF JOY SIGNAL TECHNOLOGY ANY REPRODUCTION IN PART OR WHOLE WITHOUT THE WRITTEN PERMISSION OF JOY SIGNAL TECHNOLOGY IS PROHIBITED.

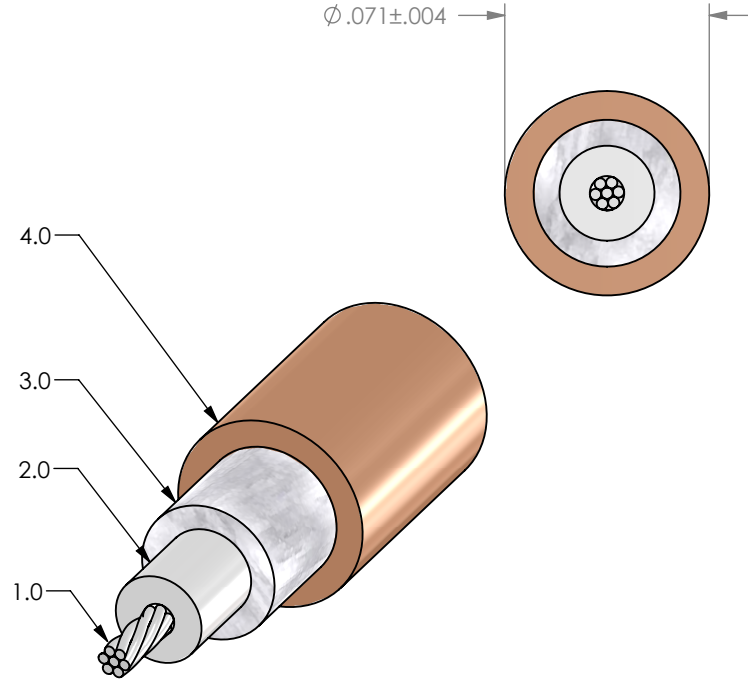
REV	DESCRIPTION	DATE	INITIAL
A	ECO # 110066	8/3/11	JKS
B	ECO # 120049	8/23/13	JKS
C	ECO # 170046	4/28/17	DW


SPECIFICATIONS

- 1.0 SIGNAL CONDUCTOR:
 SIZE: 30 AWG
 MATERIAL: SCCCS
 CONSTRUCTION: 7 X 38
 OD: .012" ± .001
- 2.0 INSULATION:
 MATERIAL: PTFE
 WALL THICKNESS: .0105"
 OD: .033" ± .002
- 3.0 SHIELD:
 SIZE: 38 AWG
 MATERIAL: SPC
 COVERAGE: 95.9% (NOM)
 OD: .054" max.
- 4.0 JACKET:
 MATERIAL: FEP
 WALL THICKNESS: .010 (NOM)
 OD: .071" ± .004
 COLOR: TINTED BROWN
- 5.0 ELECTRICAL CHARACTERISTICS:
 IMPEDANCE: 50 ohms ±2 ohms
 CAPACITANCE: 32 pF/ft max
 VELOCITY OF PROPAGATION: 69.5% (NOM)
 DIELECTRIC WITHSTANDING VOLTAGE: 2000V RMS
- ATTENUATION(MAX):
 100MHz: 16 dB/100 ft
 400MHz: 33 dB/100 ft
 1 GHz : 52 dB/100 ft
- 6.0 TEMPERATURE OPERATING RANGE: -55°C TO +200°C
- 7.0 RoHS COMPLIANT

SPECIAL NOTES: SPOOL OD: 12" MAX
 SPOOL WIDTH: 9" MAX
 SPINDLE DIA: 1-1/2" ± .25"

JOY SIGNAL CATALOG CODE: 09



ITEM NO.	PART OR IDENTIFYING NO.	NOMENCLATURE OR DESCRIPTION	MATERIAL SPECIFICATION	QTY REQD	
PARTS LIST					
UNLESS OTHERWISE SPECIFIED DIMENSIONS ARE IN INCHES TOLERANCES ARE: FRACTIONS DECIMALS ANGLES .XX : ±.01 .XXX : ±.005		CAD GENERATED DRAWING, DO NOT MANUALLY UPDATE	 COAX,50 OHM,30AWG, RG178 FEP JACKET, PTFE INSULATION		
MATERIAL SEE NOTES		APPROVALS DATE DRAWN JKS 8/3/11			
FINISH --		CHECKED			
NEXT ASSY USED ON		RESP ENG			
APPLICATION		MFG ENG			
DO NOT SCALE DRAWING		QUAL ENG	SCALE	DWG. NO. 790001	REV. C
		SCALE	CAD FILE: 790001	SHEET 1 OF 1	