

8 7 6 5 4 3 2 1

THE INFORMATION CONTAINED IN THIS DRAWING IS THE SOLE PROPERTY OF JOY SIGNAL TECHNOLOGY ANY REPRODUCTION IN PART OR WHOLE WITHOUT THE WRITTEN PERMISSION OF JOY SIGNAL TECHNOLOGY IS PROHIBITED.

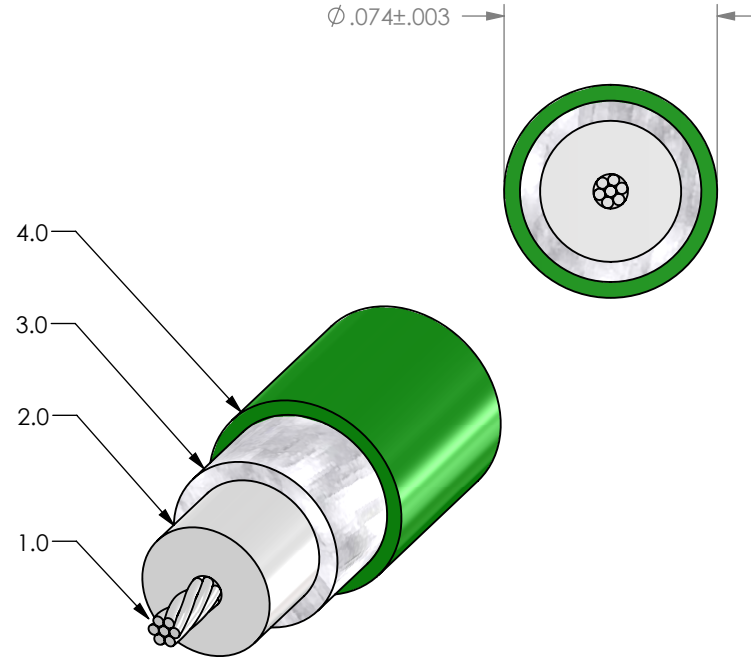
| REV | DESCRIPTION | DATE | INITIAL |
|-----|-------------|--------|---------|
| - | ECR# 170046 | 5/3/17 | DW |


SPECIFICATIONS

- 1.0 SIGNAL CONDUCTOR:
 SIZE: 30 AWG
 MATERIAL: SILVER PLATED COPPER
 CONSTRUCTION: 7 X 38
 OD (NOM.): .012"
- 2.0 INSULATION:
 MATERIAL: CELLULAR FEP OR EQUIVALENT
 WALL THICKNESS: .0185"
 OD: .049" ± .002"
- 3.0 SHIELD:
 SIZE: 40 AWG
 MATERIAL: TIN PLATED COPPER
 COVERAGE (MIN.): 95%
 OD(NOM): .063"
- 4.0 JACKET:
 MATERIAL: EXTRUDED FEP
 WALL THICKNESS (NOM.) .0065"
 OD: .074" ± .003
 COLOR: DARK GREEN
- 5.0 ELECTRICAL CHARACTERISTICS:
 IMPEDANCE: 75 ohms ± 5 ohms
 CAPACITANCE: 16 pF/ft
 PROPAGATION DELAY: 1.20 ns/ft ± .03 ns/ft
 DIELECTRIC WITHSTANDING VOLTAGE: 900V RMS @ 60 Hz MIN
 ATTENUATION(MAX):
 100 MHz: TBD
 1 GHz : TBD
- 6.0 TEMPERATURE OPERATING RANGE: -40°C TO +200°C
- 7.0 RoHS COMPLIANT

SPECIAL NOTES: SPOOL OD: 12" MAX
 SPOOL WIDTH: 9" MAX
 SPINDLE DIA: 1-1/2" ± .25"

JOY SIGNAL CATALOG CODE: 06



| ITEM NO. | PART OR IDENTIFYING NO. | NOMENCLATURE OR DESCRIPTION | MATERIAL SPECIFICATION | QTY REQD |
|---|-------------------------|---|------------------------|--|
| PARTS LIST | | | | |
| UNLESS OTHERWISE SPECIFIED DIMENSIONS ARE IN INCHES TOLERANCES ARE: | | CAD GENERATED DRAWING, DO NOT MANUALLY UPDATE | |  COAX, 75 OHM, 30AWG, EXTRUDED FEP JACKET, CELLULAR FEP INSULATION |
| FRACTIONS DECIMALS ANGLES .XX : ±.01 .XXX : ±.005 | | APPROVALS | DATE | |
| MATERIAL SEE NOTES | | DRAWN VW | 10/27/5 | |
| FINISH -- | | CHECKED LM | 11/14/5 | |
| NEXT ASSY | USED ON | RESP ENG | MFG ENG | SCALE DWG. NO. 790052 REV. - |
| APPLICATION | | QUAL ENG LM | 10/27/5 | SCALE CAD FILE: 790052 SHEET 1 OF 1 |