

8 7 6 5 4 3 2 1

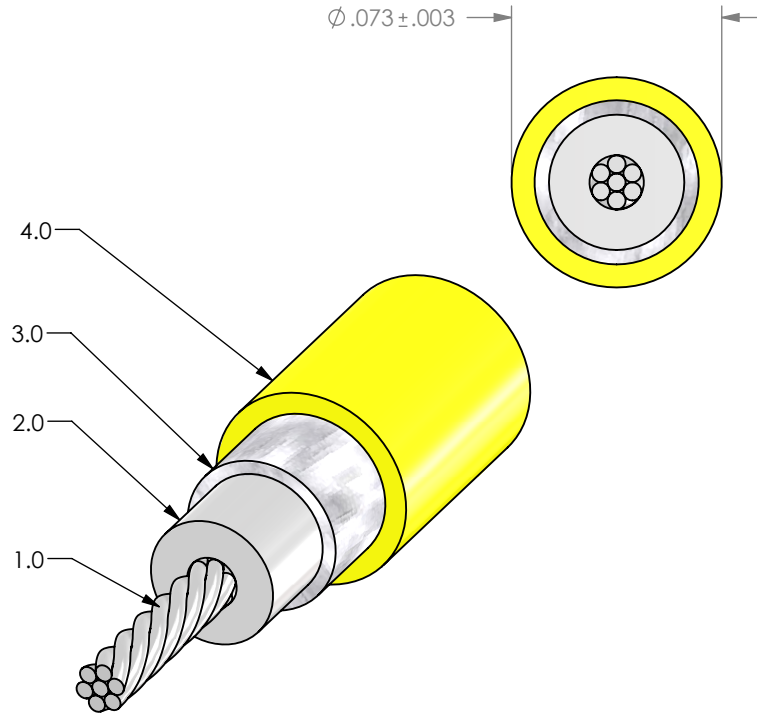
THE INFORMATION CONTAINED IN THIS DRAWING IS THE SOLE PROPERTY OF JOY SIGNAL TECHNOLOGY ANY REPRODUCTION IN PART OR WHOLE WITHOUT THE WRITTEN PERMISSION OF JOY SIGNAL TECHNOLOGY IS PROHIBITED.

REV	DESCRIPTION	DATE	INITIAL
A	RELEASED TO MFG. ATEN WAS 9.5 AND 33.8	6-11-09	ST
B	ADDED RoHS COMPLIANT NOTE	4-27-17	DW

SPECIFICATIONS

- 1.0 SIGNAL CONDUCTOR:
 SIZE: 26 AWG
 MATERIAL: SILVER PLATED COPPER
 CONSTRUCTION: 7 X 34
 OD (NOM.): .019"
- 2.0 INSULATION:
 MATERIAL: CELLULAR FEP OR EQUIVALENT
 WALL THICKNESS: .014"
 OD(NOM): .047"
- 3.0 SHIELD:
 SIZE: 40 AWG
 MATERIAL: TINNED COPPER BRAID
 COVERAGE (MIN.): 95%
- 4.0 JACKET:
 MATERIAL: FLUOROPOLYMER
 WALL THICKNESS (NOM.) .007"
 OD: .073" ± .003
 COLOR: YELLOW
- 5.0 ELECTRICAL CHARACTERISTICS:
 IMPEDANCE: 50 ohms ± 2 ohms
 CAPACITANCE(NOM): 24pF/ft
 PROPAGATION DELAY: 1.21 ns/ft ± .03ns/ft
 DIELECTRIC WITHSTANDING VOLTAGE: 500V MIN
 ATTENUATION(MAX):
 100 MHz: 10.5 dB/100 ft
 1 GHz : 37.2 dB/100 ft
- 6.0 TEMPERATURE OPERATING RANGE: -40°C TO +200°C
- 7.0 RoHS COMPLIANT

SPECIAL NOTES: SPOOL OD: 12" MAX
 SPOOL WIDTH: 9" MAX
 SPINDLE DIA: 1-1/2" ± .25"



JOY SIGNAL CATALOG CODE: 05

ITEM NO.	PART OR IDENTIFYING NO.	NOMENCLATURE OR DESCRIPTION	MATERIAL SPECIFICATION	QTY REQD
PARTS LIST				
UNLESS OTHERWISE SPECIFIED DIMENSIONS ARE IN INCHES TOLERANCES ARE:		CAD GENERATED DRAWING, DO NOT MANUALLY UPDATE		
FRACTIONS DECIMALS ANGLES		APPROVALS DATE		
.XX : ±.01		DRAWN VW 10/27/5		
.XXX : ±.005		CHECKED LM 11/14/5		
MATERIAL SEE NOTES		RESP ENG		
FINISH --		MFG ENG		
NEXT ASSY	USED ON	QUAL ENG LM 10/27/5		REV. B
APPLICATION		DO NOT SCALE DRAWING		SCALE DWG. NO. 790032
				CAD FILE: 790032 SHEET 1 OF 1



COAX,50 OHM, 26AWG,
 FLUOROPOLYMER JACKET,
 CELLULAR FEP INSULATION