

8

7

6

5

4

3

2

1

THE INFORMATION CONTAINED IN THIS DRAWING IS THE SOLE PROPERTY OF JOY SIGNAL TECHNOLOGY ANY REPRODUCTION IN PART OR WHOLE WITHOUT THE WRITTEN PERMISSION OF JOY SIGNAL TECHNOLOGY IS PROHIBITED.

REVISIONS					
ZONE	REV.	DESCRIPTION	ECO	DATE	APPROVED
	-	REVISED PER VENDOR SPECIFICATION	160106	8/10/2016	CAS

SPECIFICATIONS

1.0 SIGNAL CONDUCTOR:

SIZE: 26 AWG
MATERIAL: SILVER PLATED COPPER
CONSTRUCTION: 7 X 34
OD (NOM.): .019"

2.0 INSULATION:

FILAMENT: 2@ PFA, BLACK
OD(NOM): .0048"
TEMPERATURE RATING: 200° MIN

3.0 CORE TUBE(NOM): FEP, .005" WALL THICKNESS
OD(NOM): Ø.0445"

4.0 SERVED SHIELD:

SIZE:
FIRST: 38 AWG 90% COV.
SECOND: 38 AWG 91% COV.
MATERIAL: SOLID SILVER PLATED COPPER

5.0 JACKET:

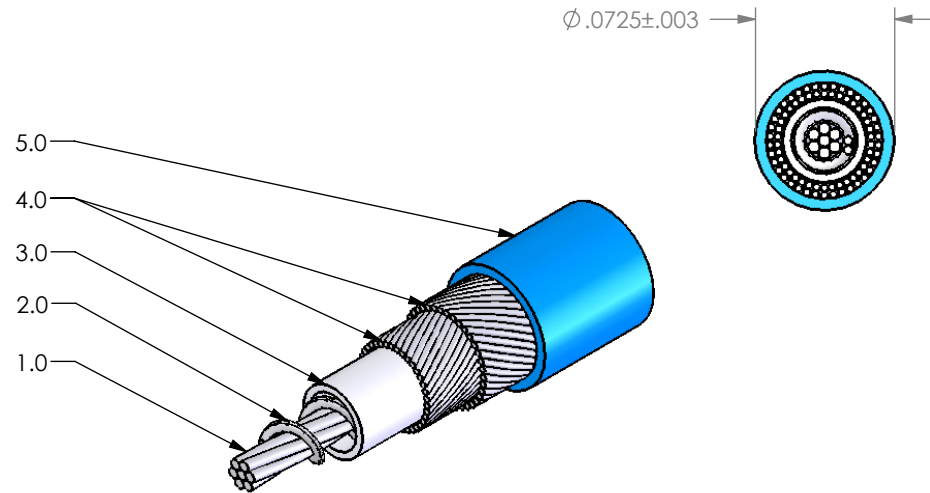
MATERIAL: FEP
WALL THICKNESS (NOM.) .006"
OD: .0725 ±.003
COLOR: BLUE

6.0 ELECTRICAL CHARACTERISTICS:

IMPEDANCE: 50 ohms ±2 ohm
CAPACITANCE(NOM): 23.0 pF/ft REF
PROPAGATION DELAY: 1.145 ns/ft ±.01 ns/ft
DIELECTRIC WITHSTANDING VOLTAGE: 500V MIN
SHIELD DC RESISTANCE: 11.5 ohms/1000 ft REF
UL STYLE: 1354

7.0 PACKAGING REQUIREMENTS:

SPOOL OD: 12" MAX
SPOOL WIDTH: 9" MAX
SPINDLE DIA: 1-1/2" ±.25"



JOY SIGNAL CATALOG CODE: 18

UNLESS OTHERWISE SPECIFIED DIMENSIONS ARE IN INCHES TOLERANCES ARE: .XX : ±0.01 ANGLES ±.5° .XXX: ±0.005 FIN:	INTERPRET DRAWING PER ASME Y14.5-2009			
	APPROVALS	DATE		
	DRAWN	VW	10/27/5	COAX,50 OHM,26 AWG, FEP JACKET, FILAMENT INSULATION
	CHECKED	LM	11/14/5	
MATERIAL	SEE NOTES			
FINISH	--			SIZE A DWG. NO. 790091 REV. -
DO NOT SCALE DRAWING	THIRD ANGLE PROJECTION		SCALE 4:1	SHEET 1 OF 1

8

7

6

5

4

3

2

1